

YTONG

Aerated Concrete Solution

Our customers can choose from a full range of aerated concrete products under our high-profile YTONG brand. This modular building shell system comprises small and large aerated concrete elements which are perfectly coordinated from the cellar to the roof and are easy to use. Aerated concrete from XELLA offers the best possible solution for any application in terms of technology, economy and ecology. Under the brand name YTONG we offer numerous products in a whole variety of sizes and formats. Our most important and best-selling building materials are briefly outlined below. Not all materials are available in all countries, as construction practices differ from one country to the next. Visit the XELLA website for your country to find out which materials are available in your country.



YTONG W – Flat Block



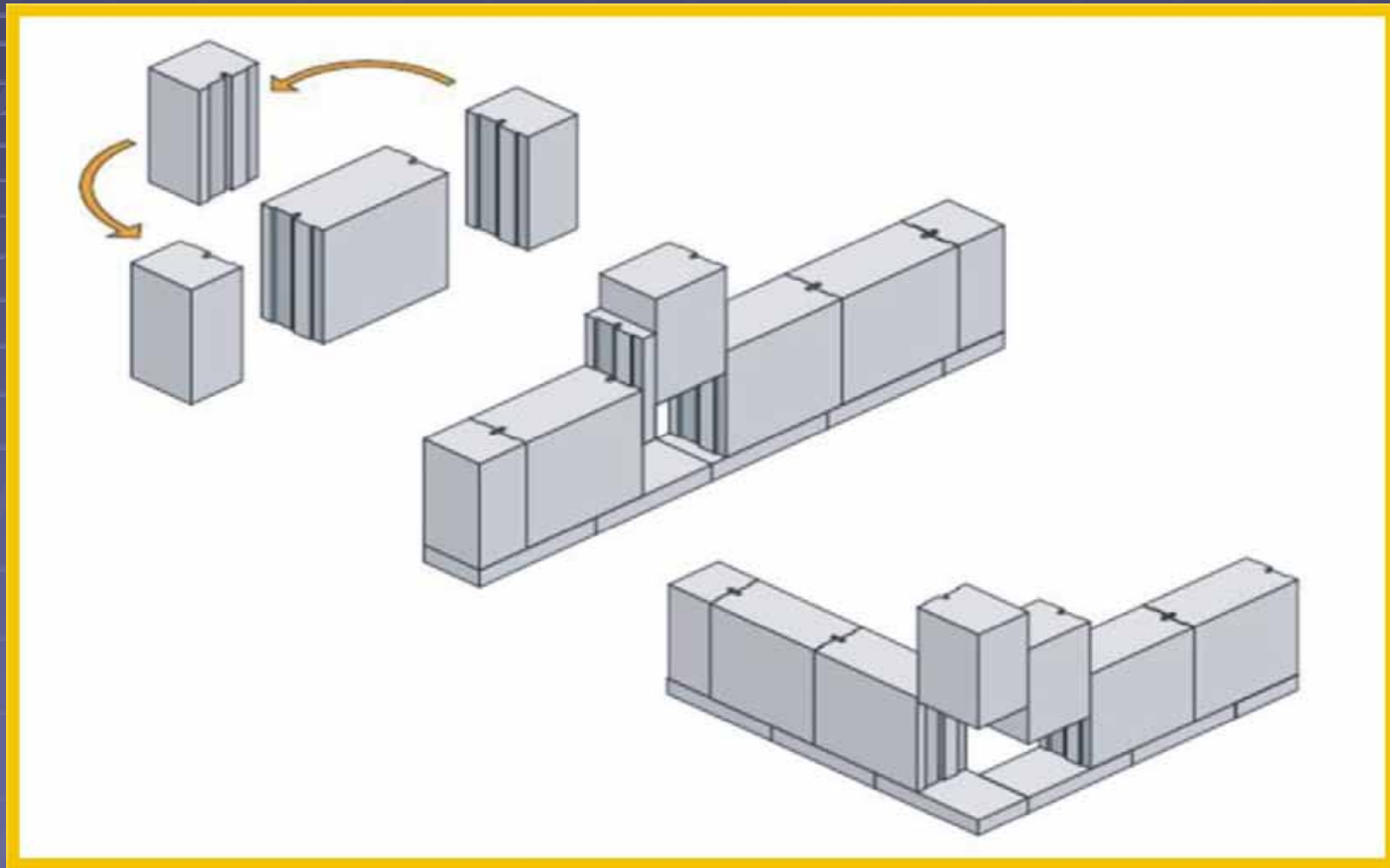
YTONG W – Flat Block

This block is a standard product which is produced in various sizes, formats and bulk densities. The outstanding thermal insulation by air trapped in millions of minute pores is a characteristic feature. The requirements imposed by the German regulation on energy conservation (EnEV) are easily met with a thermal insulation value of up to $\lambda 0.09 \text{ W/(mK)}$. Other properties of this material include the high load-bearing capacity of solid blocks with a robust supporting frame to bear loads from all sides, as well as outstanding protection against fire. YTONG flat blocks can be used for fire walls. Pockets cut into the block allow these blocks to be laid ergonomically, as well as quickly and easily on a thin mortar bed thanks to large formats with tongue and groove. Blocks can easily be cut to the required size with a saw. Further advantages: YTONG flat blocks provide an ideal base for attachment without cavities, permit optimum surface treatment through homogeneous, level wall surfaces and good noise protection. YTONG aerated concrete is made from natural raw materials – sand, lime, cement, water and a small amount of sponging agent (powdered aluminium).

YTONG W Jumbo Elements



YTONG W Jumbo Elements 2



YTONG W Jumbo Elements



YTONG W Jumbo Elements

- Our Jumbo flat elements are used for load-bearing and non-load-bearing external and internal walls, reinforcing walls, basement walls and infill walls. These flat elements are also available in various formats. All are characterised by the typical YTONG properties, such as excellent thermal insulation and outstanding protection against fire. The flat elements provide an ideal base for attachment without cavities and permit rapid processing with thin-bed mortar. A mini-crane is useful for erection. Homogenous, level wall surfaces with few joints permit optimum surface treatment.

YTONG Reinforced Ceiling



YTONG Reinforced Ceiling Boards

- Reinforced YTONG ceiling boards have proved ideal for basement ceilings and intermediate ceilings in single-family, duplex and terraced houses. They are laid quickly and simply with the aid of a crane. With no complex or time-consuming formwork required, the YTONG floor can immediately be subjected to loads and walked over, thus guaranteeing rapid progress in building work. The ceiling boards are non-flammable and suitable for all
- of flooring. Even solid roofs can be produced with these ceiling boards. YTONG ceiling boards come in standard lengths of 6 metres, but lengths
- up to 8 metres are also possible. The ceiling boards are available in widths
- 62.3 cm and more, as well as in a thickness of 20 cm or more.

YTONG Roof Elements



YTONG Roof Elements

- If the roof space is to be used for living purposes, the YTONG solid roof is of decisive advantage by ensuring a balanced room climate. Particularly the statutory requirement for wind-tightness imposed by the German EnEv regulation can easily be met with this material. YTONG roof and ceiling boards can be laid directly from the truck on the prepared masonry. This is possible up to a roof angle of $< 15^\circ$. The roof boards for roofs sloping at an angle of more than 15° are fitted with transport anchors. The roof boards of reinforced aerated concrete come in standard lengths of 6 metres, but lengths of up to 8 metres are also possible. The roof boards are available in widths of 62.3 cm and more, as well as in a thickness of 20 cm or more.

YTONG Single Houses



YTONG Single Houses



YTONG Single Houses



YTONG Single Houses



YTONG Single Houses



YTONG Apartment Houses



YTONG Apartment Houses



YTONG Apartment Houses



YTONG Apartment Houses



YTONG Apartment Houses



YTONG Town Houses



YTONG Office Buildings



YTONG Industrial Buildings



YTONG Industrial Buildings



YTONG Industrial Buildings



YTONG Industrial Buildings



YTONG Industrial Buildings

